



REPAIR PARTS MANUAL
MODEL NO. REGT20H122A
Lawn Tractor

Rally

00137

HOW TO USE THIS MANUAL

This manual is designed to provide the customer with a means to identify the parts on his/her tractor when ordering repair parts. The illustrations may or may not represent the actual assemblies; therefore, it is not recommended to use this manual as a guide to assemble or disassemble the tractor. Some hardware and parts are drawn larger in order to more readily identify them.

Each tractor has its own model number.

The model number for your tractor can be found on the fender under the seat.

When ordering parts, always give the following information:

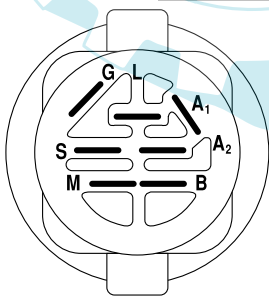
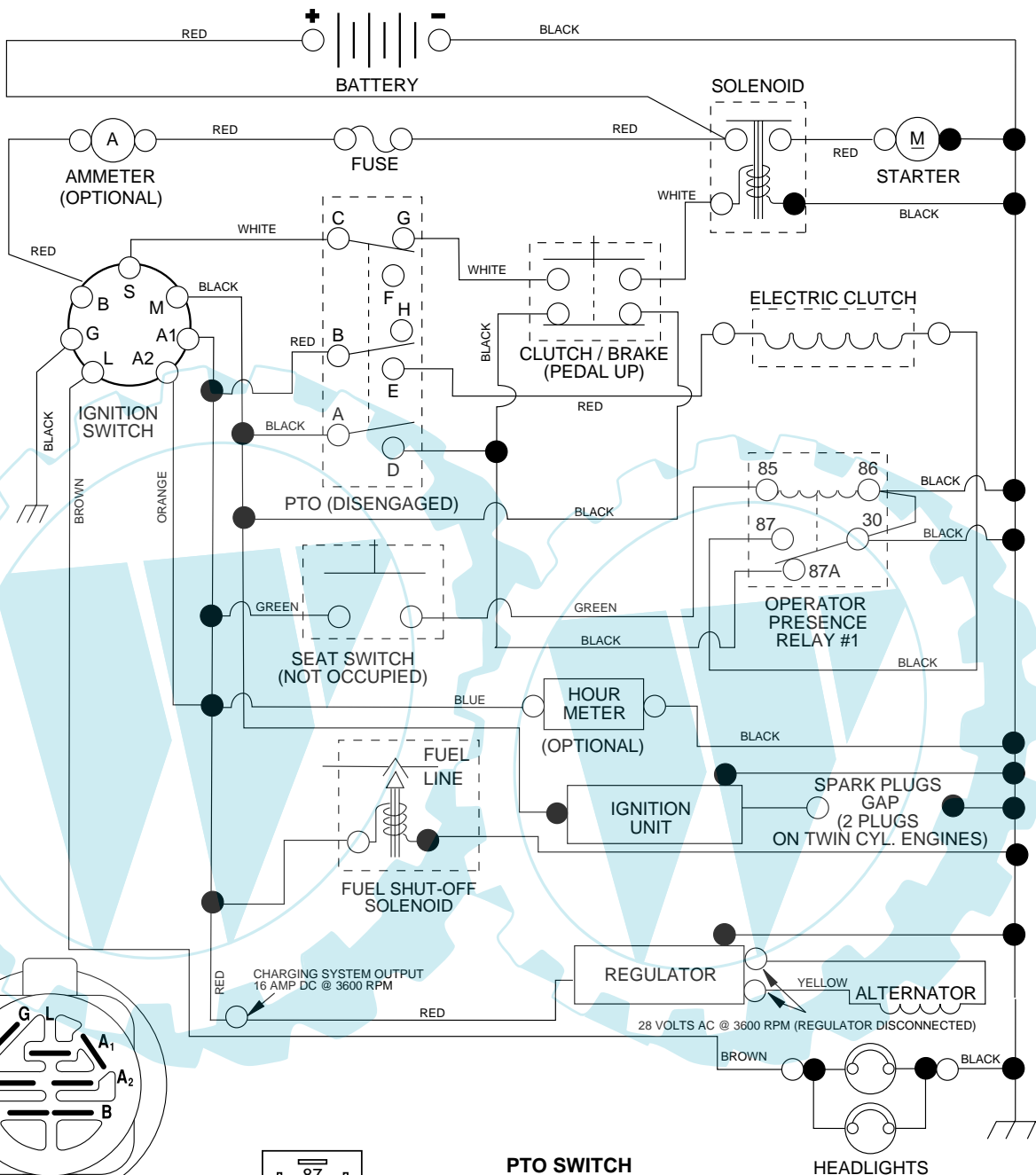
- Product - "Lawn Tractor"
- Model Number - REGT20H122A
- Part Number
- Part Description

TABLE OF CONTENTS

| | |
|-------------------------------------|--------------|
| SCHEMATIC | 3 |
| ELECTRICAL | 4-5 |
| CHASSIS AND ENCLOSURES | 6-7 |
| DRIVE | 8-9 |
| STEERING WHEEL | 10-11 |
| ENGINE | 12-13 |
| MOWER LIFT | 14-15 |
| SEAT | 16 |
| DECALS | 17 |
| MOWER DECK | 18-19 |

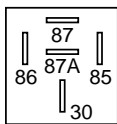
TRACTOR - MODEL NO. REGT20H122A, PRODUCT NO. 964 79 77-00

SCHEMATIC



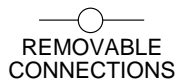
IGNITION SWITCH

| POSITION | CIRCUIT | "MAKE" |
|-------------|------------|--------|
| OFF | M + G + A1 | NONE |
| ON + LIGHTS | B + A1 | L + A2 |
| ON | B + A1 | NONE |
| START | B + S + A1 | NONE |



RELAY

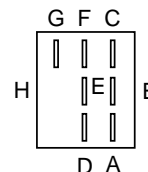
| PTO SWITCH | |
|------------|---------------------|
| POSITION | CIRCUIT |
| OFF | C + G, B + H |
| ON | C + F, B + E, A + D |



REMOVABLE CONNECTIONS



NON-REMOVABLE CONNECTIONS



WIRING INSULATED CLIPS
NOTE: IF WIRING INSULATED CLIPS WERE REMOVED FOR SERVICING OF UNIT, THEY SHOULD BE REPLACED TO PROPERLY SECURE YOUR WIRING.

REPAIR PARTS

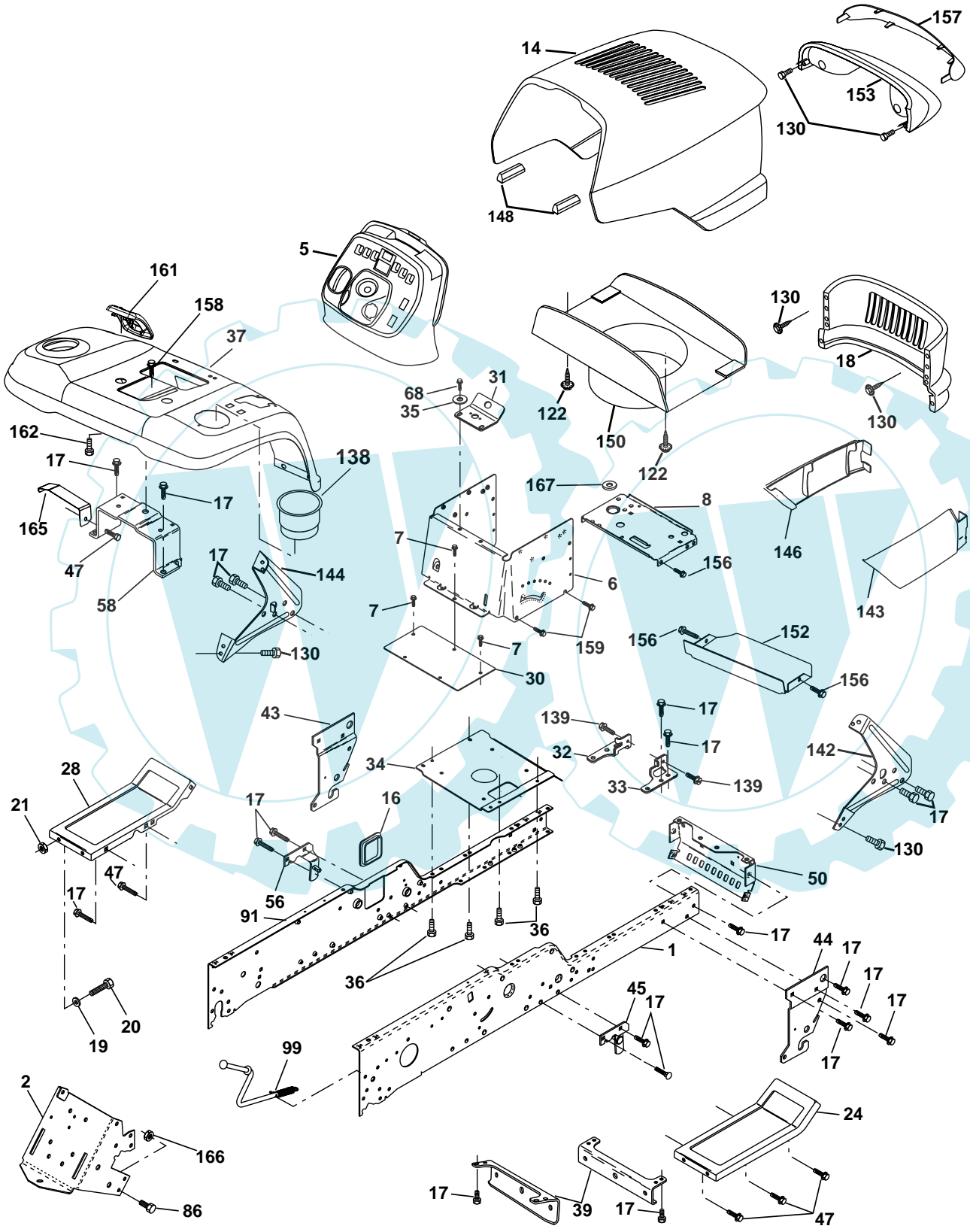
TRACTOR - MODEL NO. REGT20H122A, PRODUCT NO. 964 79 77-00
ELECTRICAL

| KEY NO. | PART NO. | DESCRIPTION |
|---------|--------------|---------------------------------------|
| 1 | 532 14 49-27 | Battery |
| 2 | 874 76 04-12 | Bolt Hex Head 1/4-20 x 3/4 |
| 8 | 532 12 48-86 | Tray, Battery |
| 10 | 532 14 52-11 | Bolt, Battery Front 1/4-20 x 7.5 Zinc |
| 11 | 532 15 01-09 | Holddown Battery Front Mount |
| 12 | 532 14 57-69 | Nut, Push Nylon 1.4" Battery Front |
| 16 | 532 17 61-38 | Switch Interlock |
| 21 | 532 17 56-88 | Harness Socket Light w/4152J |
| 22 | 532 00 41-52 | Bulb Light |
| 24 | 532 18 54-64 | Cable, Starter 6 Ga 22" Red |
| 25 | 532 14 61-49 | Cable, Battery |
| 26 | 532 10 88-24 | Fuse |
| 27 | 873 51 04-00 | Nut Keps Hex 1/4-20 |
| 28 | 532 17 06-97 | Cable, Ground |
| 29 | 532 16 07-84 | Switch, Plunger Normal Op Olive |
| 30 | 532 17 55-66 | Switch, Ign |
| 33 | 532 14 04-01 | Key |
| 40 | 532 17 02-38 | Harness Ign. |
| 41 | 817 72 04-08 | Screw Thd cut 1/4-20 x 1/2 |
| 42 | 532 15 43-36 | Cover, Terminal Red |
| 43 | 532 17 88-61 | Solenoid w/Brass Plunger |
| 45 | 532 12 28-22 | Ammeter |
| 50 | 532 17 46-51 | Switch, PTO |
| 52 | 532 14 19-40 | Protection Wire Loop |
| 79 | 532 17 52-42 | Bulbholder Asm |
| 81 | 532 10 97-48 | Relay Asm. |

NOTE: All component dimensions given in U.S. inches
1 inch = 25.4 mm

REPAIR PARTS

TRACTOR - MODEL NO. REGT20H122A, PRODUCT NO. 964 79 77-00
CHASSIS AND ENCLOSURES



chassis-stealth_37-vgt.

REPAIR PARTS

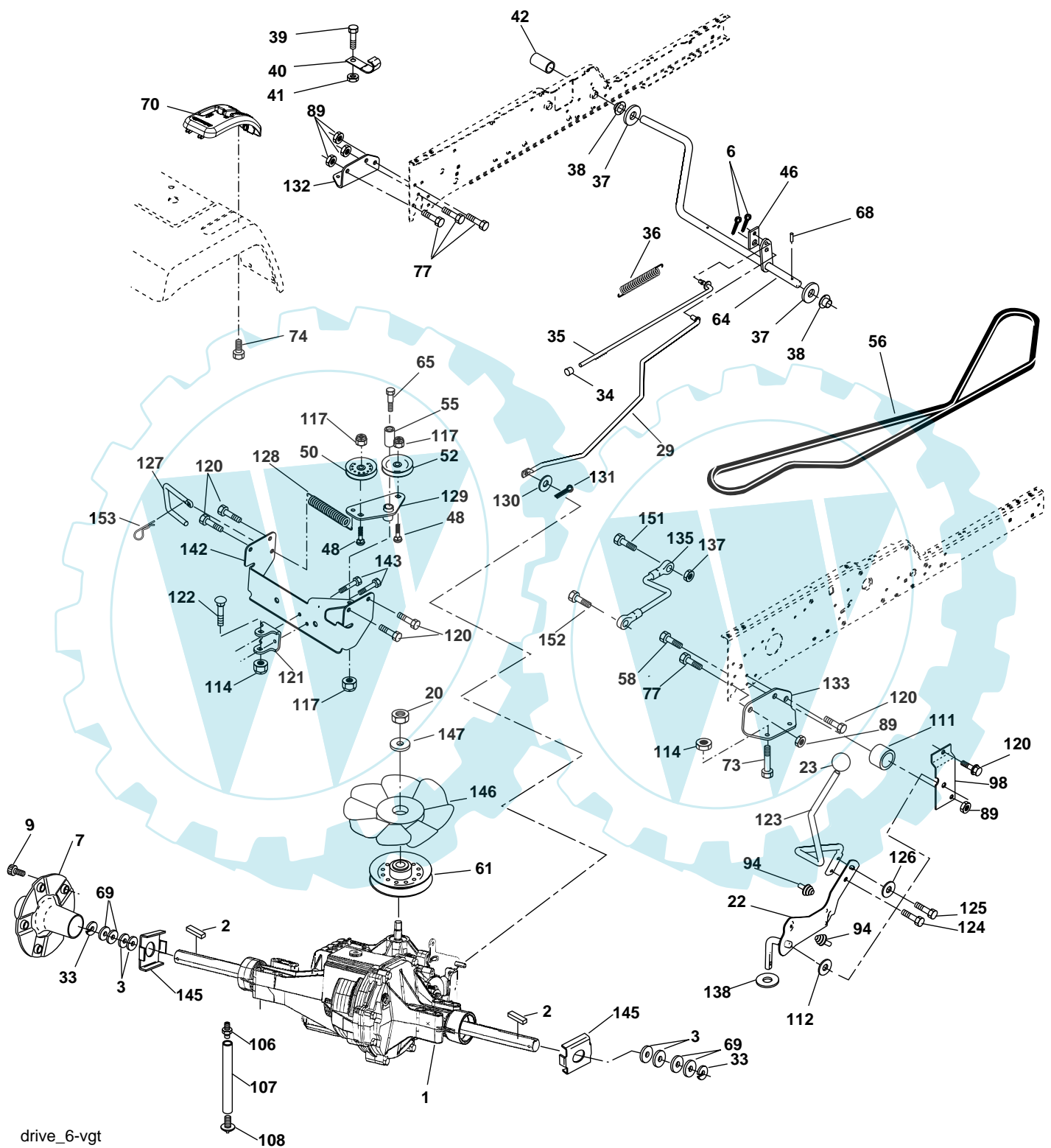
TRACTOR - MODEL NO. REGT20H122A, PRODUCT NO. 964 79 77-00 CHASSIS AND ENCLOSURES

| KEY NO. | PART NO. | DESCRIPTION | KEY NO. | PART NO. | DESCRIPTION |
|---------|--------------|--------------------------------|---------|--------------|-----------------------------------|
| 1 | 532 18 03-75 | Rail, Frame RH | 58 | 532 18 35-69 | Bracket Asm., Fender |
| 2 | 532 17 52-82 | Drawbar, Gt | 68 | 817 49 05-08 | Screw, 5/16-18 x 1/2 |
| 5 | 532 17 71-44 | Dash, Plastic | 86 | 874 78 07-20 | Bolt, Fin Hex 7/16-14 Unc x 1-1/4 |
| 6 | 532 15 78-82 | Dash, 1PCS, Lower | 91 | 532 18 03-74 | Rail, Frame Lh |
| 7 | 817 72 04-08 | Screw, Thd Cut 1/4-20 x 1/2 | 99 | 532 17 71-43 | Rod Asm. Bypass |
| 8 | 532 18 46-68 | Support, Battery | 122 | 532 16 14-64 | Screw Hex WSHD 8-18 x 7/8 |
| 14 | 532 18 71-13 | Hood Asm., Pnt | 130 | 532 17 18-75 | Screw Hw Hd Hi-Lo #13-16 x 3/4 |
| 16 | 532 12 17-94 | Cover, Access | 138 | 532 18 28-79 | Cupholder |
| 17 | 817 06 06-12 | Screw, 3/8-16 x 3/4 | 139 | 532 17 18-73 | Bolt Shoulder 5/16-18 |
| 18 | 532 18 71-14 | Grille | 140 | 532 16 38-06 | Magnet Stealth |
| 19 | 819 13 13-12 | Washer 13/32 x 13/16 x 12 Ga. | 141 | 532 16 38-05 | Striker Plate |
| 20 | 874 78 06-16 | Bolt, Fin Hex 3/8-16 x 1 | 142 | 532 16 18-97 | Bracket Dash Stealth RH |
| 21 | 873 80 06-00 | Nut, Crownlock 3/8-16 | 143 | 532 18 71-11 | Skirt Grille RH |
| 24 | 532 18 11-94 | Footrest, RH | 144 | 532 16 19-00 | Bracket Dash Stealth LH |
| 28 | 532 18 11-93 | Footrest, LH | 146 | 532 18 71-12 | Skirt Grille LH |
| 30 | 532 14 50-52 | Saddle | 148 | 532 16 46-55 | Extrusion Bumper |
| 31 | 532 16 14-19 | Bracket Supt 1-pc Vgt Steering | 150 | 532 16 12-37 | Duct Heat Hood |
| 32 | 532 16 13-27 | Bracket, Frame Pivot Lh | 152 | 532 17 79-56 | Shield, Browning |
| 33 | 532 16 13-26 | Bracket, Frame Pivot Rh | 153 | 532 17 97-61 | Lens Asm. Stealth |
| 34 | 532 17 70-18 | Plate Asm Engine Chassis | 156 | 817 00 05-12 | Screw 5/16-18 x 3/4 |
| 35 | 819 11 11-16 | Washer 11/32 x 11/16 x 16 Ga. | 157 | 532 16 18-40 | Lens Bar |
| 36 | 817 06 05-12 | Screw 5/16-18 x 3/4 | 158 | 817 67 06-08 | Screw Thdrol 3/8-16 x 1/2 |
| 37 | 532 18 71-10 | Fender, Pnt. | 159 | 817 00 06-12 | Screw 3/8-16 x 3/4 |
| 39 | 532 17 52-78 | Bracket, Axle Front | 161 | 532 18 28-82 | Console Fuel Window |
| 43 | 532 13 69-39 | Bracket, Spnsn Front Lh | 162 | 532 14 24-32 | Screw Hex 1/4-1/2 Unc |
| 44 | 532 13 69-40 | Bracket, Spnsn Front Rh | 165 | 532 18 35-54 | Bracket Support Tank |
| 45 | 532 17 60-18 | Bracket Asm., Susp Chassis Rh | 166 | 873 68 07-00 | Nut, Crown Lock 7/16-14 Unc |
| 47 | 817 49 06-08 | Screw Thdrol 3/8-16 x 1/2 | 167 | 532 18 46-72 | Bushing Snap Nylon |
| 50 | 532 17 54-76 | Bracket, Chassis Front | | | |
| 56 | 532 17 60-16 | Bracket Asm., Susp Chassis Lh | | | |

NOTE: All component dimensions given in U.S. inches
1 inch = 25.4 mm

REPAIR PARTS

TRACTOR - MODEL NO. REGT20H122A, PRODUCT NO. 964 79 77-00
GROUND DRIVE



drive_6-vgt

REPAIR PARTS

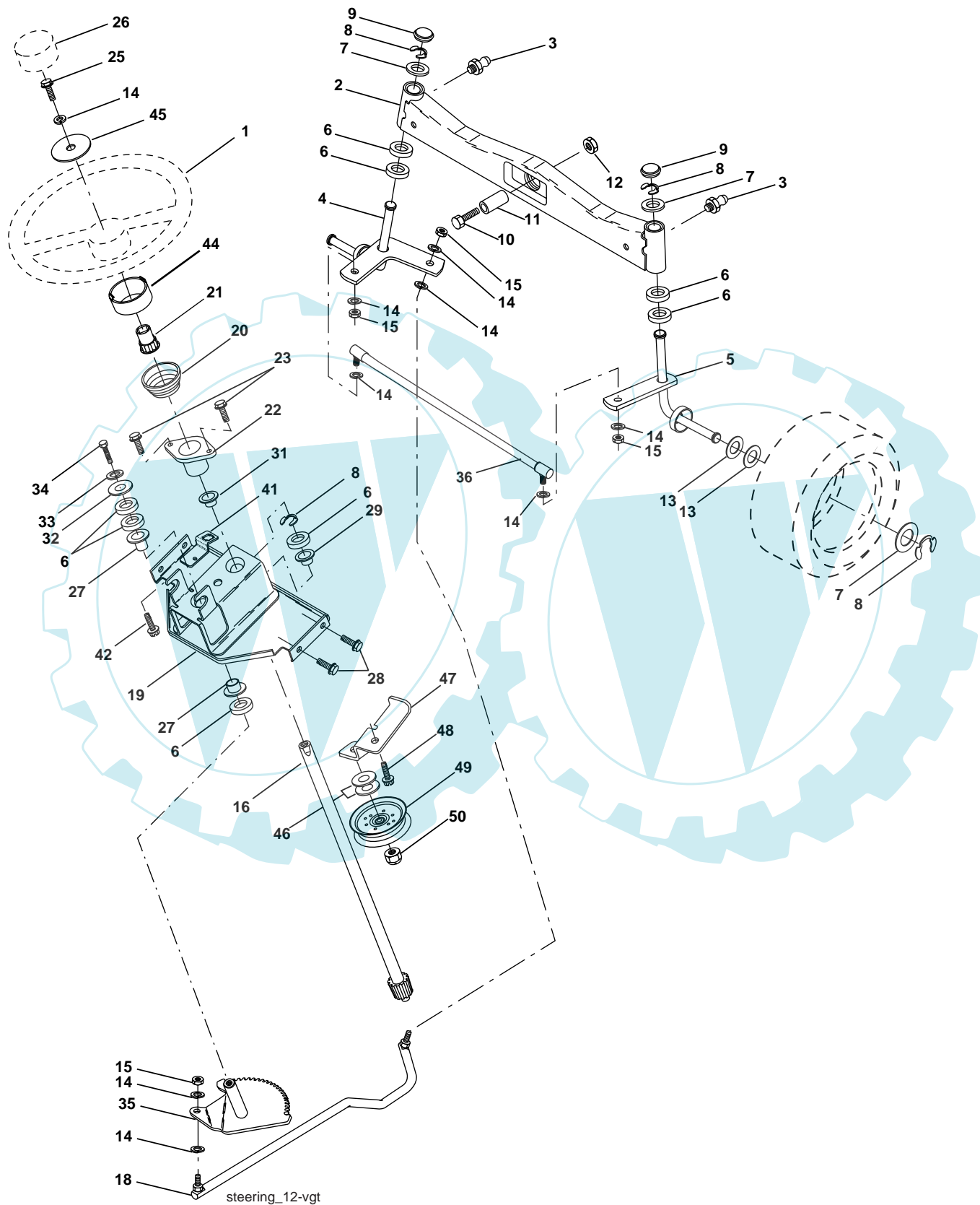
TRACTOR - MODEL NO. REGT20H122A, PRODUCT NO. 964 79 77-00 GROUND DRIVE

| KEY NO. | PART NO. | DESCRIPTION | KEY NO. | PART NO. | DESCRIPTION |
|---------|--------------|---|---------|--------------|--------------------------------------|
| 1 | ----- | Transaxle Hydro Gear 331-3000 (Order Parts From Transaxle Manufacturer) | 94 | 532 13 38-35 | Fastener Christmas Tree |
| 2 | 532 00 70-70 | Key Sq. 1/4 x 2.5 | 98 | 532 14 10-04 | Bracket Shift |
| 3 | 532 00 75-63 | Washer | 106 | 532 14 29-18 | O-Ring Asm Hydro Gear |
| 6 | 876 02 04-12 | Pin, Cotter | 107 | 532 15 47-39 | Line Fuel Hydro 15" VGT |
| 7 | 532 14 05-07 | Wheel, Hub Assembly | 108 | 532 14 29-17 | Cap Asm Vent Hydro Gear |
| 9 | 532 14 00-80 | Bolt, Hub | 111 | 532 15 62-40 | Spacer Shift Lever VGTH |
| 20 | 873 94 08-00 | Nut | 112 | 532 17 85-58 | Washer Nylon High Temp |
| 22 | 532 18 02-35 | Lever Asm Shift | 114 | 873 80 05-00 | Nut Lock Hex W/Ins 5/16-18 Unc |
| 23 | 532 14 08-45 | Knob | 117 | 873 90 06-00 | Nut, Lock Flg. 3/8-16 |
| 29 | 532 17 66-00 | Brake, Rod | 120 | 817 06 06-12 | Screw 3/8-16 x .75 |
| 33 | 812 00 00-53 | Ring E | 121 | 532 17 56-11 | Bracket Strap Torque |
| 34 | 532 07 16-73 | Cap, Parking Brake | 122 | 872 01 05-20 | Bolt RDHDSQ 5/16-18 Unc x 2-1/2 |
| 35 | 532 13 76-48 | Rod, Parking Brake | 123 | 532 18 32-54 | Rod Shift |
| 36 | 532 14 94-12 | Spring, Drive Ground | 124 | 532 16 54-92 | Bolt Shoulder 5/16-18 x .561 |
| 37 | 532 12 17-49 | Washer 25/32 x 1-1/4 x 16 Ga. | 125 | 532 16 68-80 | Screw 5/16-18 x 5/8 |
| 38 | 532 15 00-35 | Nyliner | 126 | 532 16 60-02 | Washer SRRTD 5/16 ID x 1.0 x .125 |
| 39 | 874 32 10-16 | Screw, Fin. #10-24 x 1 | 127 | 532 17 73-62 | Link Control Clutch |
| 40 | 532 17 85-75 | Actuator, Interlock VGT | 128 | 532 17 66-24 | Spring Drive GRND |
| 41 | 873 93 10-00 | Nut Centerlock 10-24 Unc | 129 | 532 17 94-73 | Bracket Asm Idler Tensioning |
| 42 | 532 12 35-33 | Cover, Pedal | 130 | 819 13 10-16 | Washer 13/32 x 5/8 x 16 Ga. |
| 46 | 532 14 51-70 | Retainer, Spring | 131 | 876 02 03-12 | Pin Cotter 3/32 x 3/4 |
| 48 | 872 11 06-14 | Bolt Rdhd 3/8-16 x 1.3/4 Gr. 5 | 132 | 532 17 54-67 | Bracket Mtg Hydro 3500 LH VGT |
| 50 | 532 13 14-94 | Pulley, Idler, Flat | 133 | 532 17 54-68 | Bracket Mtg Hydro 3500 RH VGT |
| 52 | 532 12 35-33 | Pulley, Idler, Grooved | 135 | 532 17 73-64 | Link Asm Control Hydro 3500 |
| 55 | 532 10 57-06 | Bearing, Idler | 137 | 532 00 16-85 | Nut Lock 5/16-18 NC Thd. |
| 56 | 532 16 15-97 | V-Belt | 138 | 532 00 13-70 | Washer Thrust 5/8 x 1.10 x 1/32 |
| 58 | 874 76 07-24 | Bolt Fin Hex 7/16-14 x 1-1/2 | 142 | 532 17 54-69 | Strap Torque HG-3500 |
| 61 | 532 14 39-95 | Pulley, Transaxle | 143 | 817 06 05-12 | Screw Thdrol 5/16-18 x 3/4 |
| 64 | 532 17 66-01 | Shaft, Brake Pedal | 145 | 532 16 31-68 | Washer Axle Flange HG-3000 |
| 65 | 532 17 96-13 | Bolt, Shoulder | 146 | 532 14 04-62 | Fan 7" Hydro |
| 68 | 532 00 51-42 | Pin, Roll | 147 | 532 14 13-22 | Washer |
| 69 | 532 12 38-00 | Washer | 151 | 874 76 05-14 | Bolt Hex 5/16-18 x 7/8 |
| 70 | 532 18 28-86 | Console Automatic YT/GT | 152 | 532 17 87-05 | Bolt Hex 5/16 x 1 W/Patch |
| 73 | 874 49 05-48 | Bolt Hex Flghd 5/16-18 x 3 Gr5 | 153 | 532 12 47-88 | Spring, Retainer |
| 74 | 532 14 24-32 | Screw Hex Wsh. Hi-Lo 1/4-1/2 | | | |
| 77 | 874 78 07-16 | Bolt Fin Hex 7/16-14 x 1 | | | |
| 89 | 873 68 07-00 | Nut Crownlock 7/16-14 Unc | | | |

NOTE: All component dimensions given in U. S.
inches 1 inch = 25.4 mm

REPAIR PARTS

TRACTOR - MODEL NO. REGT20H122A, PRODUCT NO. 964 79 77-00
STEERING ASSEMBLY



REPAIR PARTS

TRACTOR - MODEL NO. REGT20H122A, PRODUCT NO. 964 79 77-00 STEERING ASSEMBLY

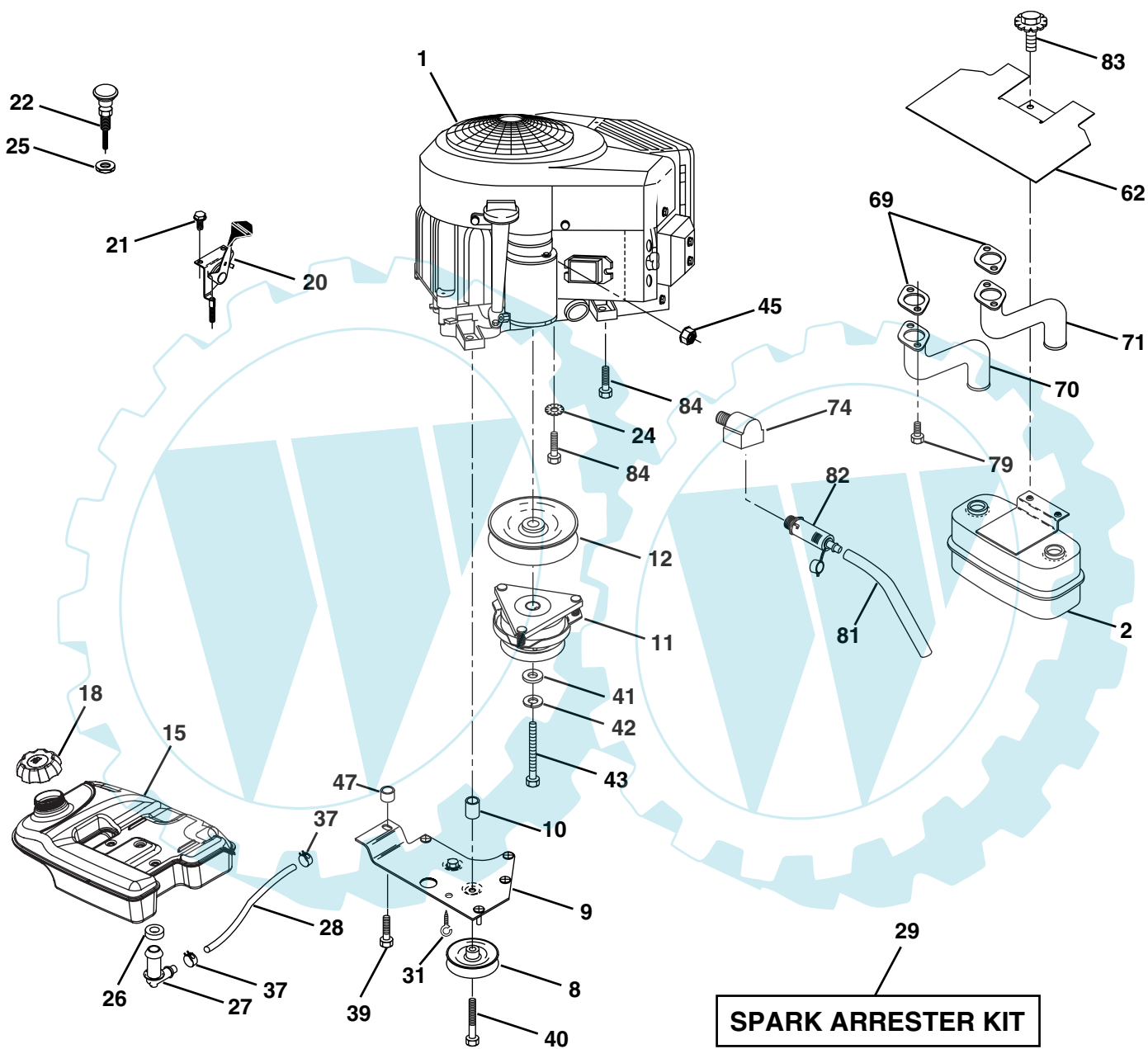
| KEY NO. | PART NO. | DESCRIPTION |
|---------|--------------|--------------------------------|
| 1 | 532 17 20-93 | Wheel, Steering |
| 2 | 532 17 85-57 | Axle Asm., Front |
| 3 | 532 12 48-36 | Fitting, Grease |
| 4 | 532 16 18-49 | Spindle Asm, LH |
| 5 | 532 16 18-48 | Spindle Asm., RH |
| 6 | 532 12 49-31 | Bearing, Race Thrust Harden |
| 7 | 532 12 17-48 | Washer 25/32 x 1-5/8 x 16 Ga. |
| 8 | 812 00 00-29 | Ring, Klip #T5304-75 |
| 9 | 532 12 12-32 | Cap, Spindle |
| 10 | 874 78 10-44 | Bolt, Fin Hex 5/8-11 x 2-3/4 |
| 11 | 532 13 65-18 | Spacer Brg Axle Front 1.570 |
| 12 | 873 90 10-00 | Nut, Lock Flange 5/8-11 Unc |
| 13 | 532 12 17-49 | Washer 25/32 x 1-1/4 x 16 Ga. |
| 14 | 810 04 06-00 | Washer, Lock Hvy Hlcl Spr 3/8 |
| 15 | 532 12 47-01 | Nut Lock Center 3/8-24 Unf |
| 16 | 532 14 51-03 | Shaft Asm., Steering |
| 18 | 532 17 55-72 | Draglink, Ball Joint Solid Vgt |
| 19 | 532 15 60-11 | Support Asm., Steering Vgt |
| 20 | 532 18 28-96 | Boot Steering |
| 21 | 532 15 99-45 | Adapter, Wheel Steering |
| 22 | 532 15 51-05 | Bushing, Strg. |
| 23 | 532 15 29-27 | Screw |
| 25 | 874 78 06-16 | Bolt, Fin Hex 3/8-16 x 1 Gr. 5 |
| 26 | 532 17 20-93 | Cap , Wheel Steering |
| 27 | 532 12 49-37 | Bearing, Col. Strg. |
| 28 | 817 00 06-12 | Screw 3/8-16 x 3/4 |
| 29 | 532 10 42-39 | Bearing, Flange |
| 31 | 532 13 81-36 | Bushing, Nyliner Snap |
| 32 | 819 11 16-10 | Washer 11/32 x 1 x 10 Ga. |
| 33 | 810 04 05-00 | Washer, Lock Hvy Hlcl Spr 5/16 |
| 34 | 874 78 05-12 | Bolt, Hex Hd 5/16-18 x 3/4 |
| 35 | 532 13 80-59 | Gear, Sector Steering |
| 36 | 532 18 67-99 | Tie Rod |
| 41 | 532 15 52-46 | Bracket Switch Inerlock VGT97 |
| 42 | 817 49 05-08 | Screw 5/16-18 x 1/2 |
| 44 | 532 18 14-49 | Extension Steering Premium |
| 45 | 819 13 24-11 | Washer 13/32 x 1-1/20 x 11 Ga. |
| 46 | 819 13 16-10 | Washer Flat 13/32 x 1 x 10 Ga. |
| 47 | 532 17 94-71 | Bracket Asm. Idler |
| 48 | 817 06 06-12 | Screw 3/8-16 x .75 |
| 49 | 532 17 58-20 | Pulley Idler Flat |
| 50 | 873 90 06-00 | Nut Lock Flg 3/8-16 Unc |

NOTE: All component dimensions given in U.S. inches
1 inch = 25.4 mm

REPAIR PARTS

TRACTOR - MODEL NO. REGT20H122A, PRODUCT NO. 964 79 77-00

ENGINE



engine-intek_10-vgt

REPAIR PARTS

TRACTOR - MODEL NO. REGT20H122A, PRODUCT NO. 964 79 77-00

ENGINE

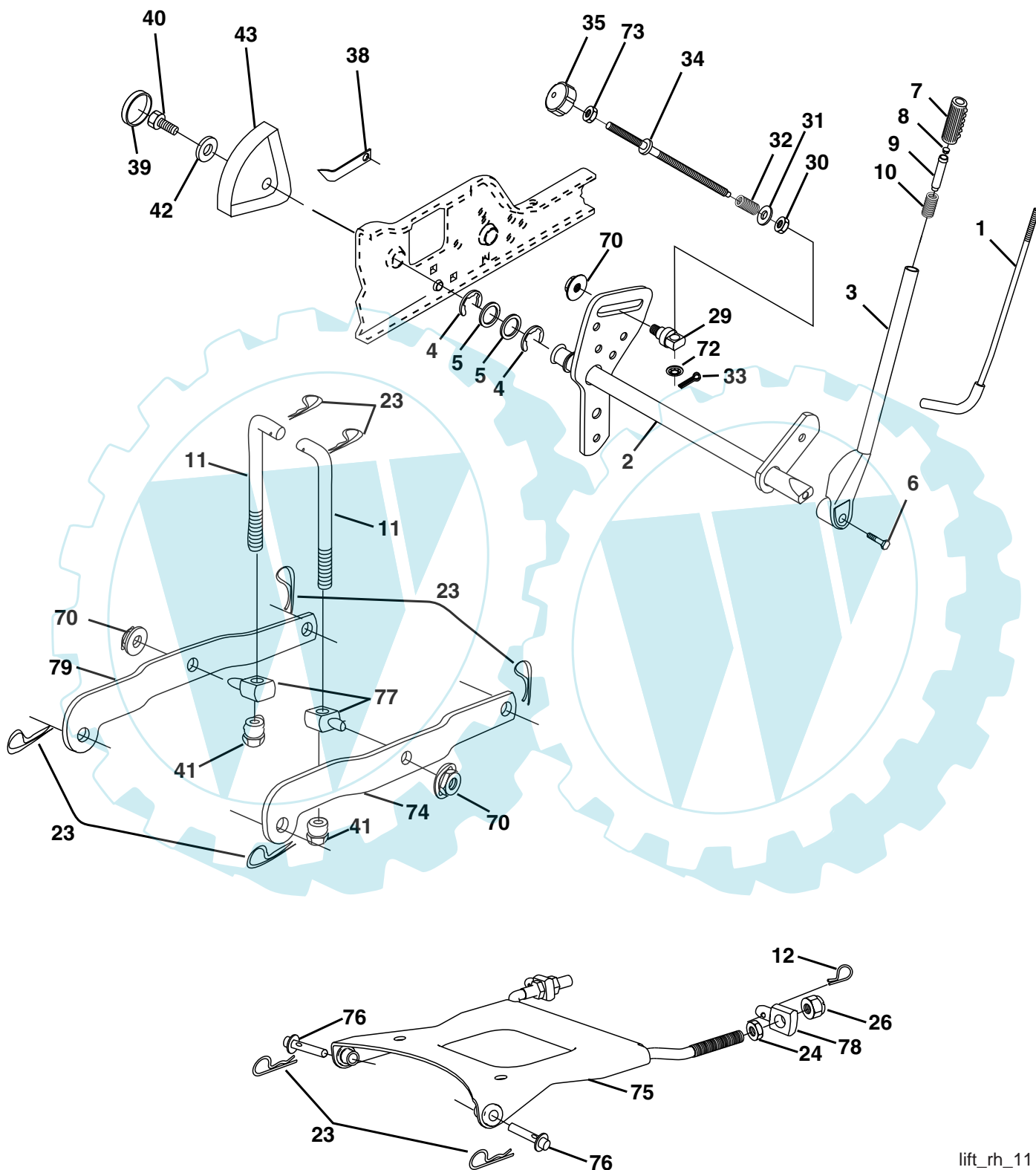
| KEY NO. | PART NO. | DESCRIPTION |
|---------|--------------|---|
| 1 | ----- | Engine Briggs & Stratton, Model Number 407777 (Order parts from engine manufacturer) |
| 2 | 532 14 97-23 | Muffler Side |
| 8 | 532 12 13-61 | Pulley V-Idler |
| 9 | 532 17 77-48 | Keeper Asm. Belt Engine VGT |
| 10 | 532 17 52-87 | Bushing |
| 11 | 532 17 93-35 | Clutch Electric |
| 12 | 532 14 39-96 | Pulley Engine VGT Elect Clutch |
| 15 | 532 17 91-15 | Tank Fuel 5.0 |
| 18 | 532 18 29-02 | Cap Fuel |
| 20 | 532 17 83-85 | Control Throttle |
| 21 | 532 17 18-75 | Screw HWHD Hi-Lo #13-16 x 3/4 |
| 22 | 532 17 86-39 | Control Choke |
| 24 | 811 05 06-00 | Washer Ext Tooth 3/8 |
| 25 | 873 92 06-00 | Nut Keps 3/8-24 Unf |
| 26 | 532 00 36-45 | Bushing |
| 27 | 532 13 92-77 | Stem Tank Fuel |
| 28 | 532 00 78-34 | Fuel Line |
| 29 | 532 13 71-80 | Spark Arrester Kit |
| 31 | 532 14 50-06 | Clip, Push In |
| 37 | 532 12 34-87 | Clamp Hose |
| 39 | 817 49 06-36 | Screw TT 3/8-16 x 2-1/4 Unc |
| 40 | 817 49 06-64 | Screw TT 3/8-16 x 4 Unc |
| 41 | 532 12 61-97 | Washer 1-1/2 OD x 15/32 ID x .250 |
| 42 | 810 04 07-00 | Washer Lock 7/16 |
| 43 | 532 17 99-53 | Bolt Hex 7/16-20 x 3.75 Ga 5 |
| 45 | 873 51 04-00 | Nut Keps Hex 1/4-20 |
| 47 | 532 17 52-88 | Bushing |
| 62 | 532 14 66-29 | Shield Heat Muffler |
| 69 | 532 16 53-91 | Gasket |
| 70 | 532 17 60-70 | Tube Exhaust RH |
| 71 | 532 17 60-69 | Tube Exhaust LH |
| 74 | 532 16 22-95 | Elbow Street |
| 79 | 532 18 39-06 | Screw Socket Head 5/16-18 x 1 |
| 81 | 532 14 84-56 | Tube Drain Oil Easy |
| 82 | 532 18 16-54 | Plug Oil Drain |
| 83 | 532 17 18-77 | Bolt 5/16-18 Unc x 1-3/4 W/Sems |
| 84 | 817 06 06-24 | Screw 3/8-16 x 1-1/2 |

NOTE: All component dimensions given in U.S. inches
1 inch = 25.4 mm

REPAIR PARTS

TRACTOR - MODEL NO. REGT20H122A, PRODUCT NO. 964 79 77-00

LIFT ASSEMBLY



lift_rh_11

REPAIR PARTS

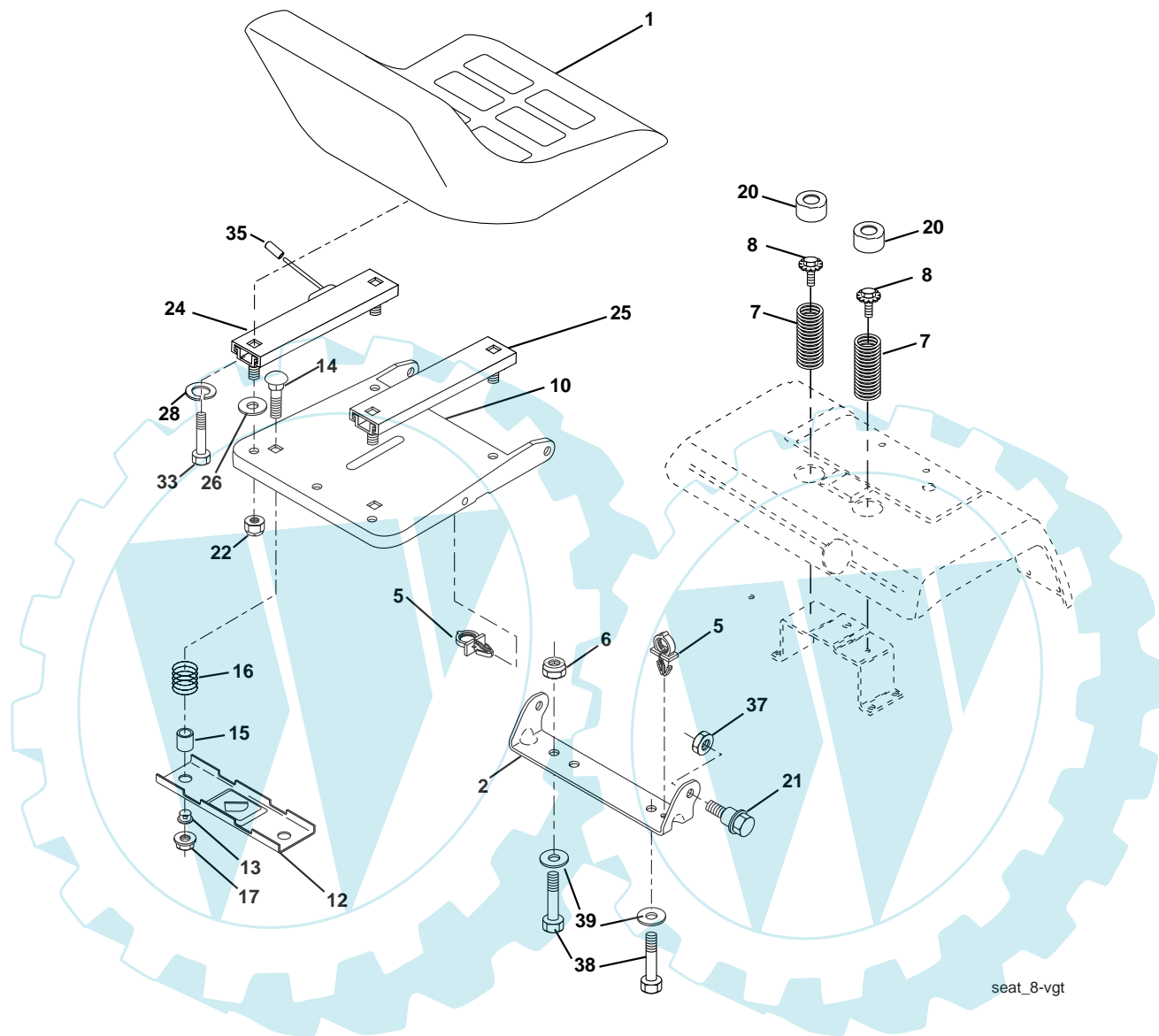
TRACTOR - MODEL NO. REGT20H122A, PRODUCT NO. 964 79 77-00
LIFT ASSEMBLY

| KEY NO. | PART NO. | DESCRIPTION |
|---------|--------------|----------------------------------|
| 1 | 532 12 10-06 | Rod Asm., Lever |
| 2 | 532 18 00-45 | Shaft Asm., Lift Vgt |
| 3 | 532 15 91-89 | Lever Asm., Lift Rh |
| 4 | 812 00 00-22 | E-Ring Truarc #5133-87 |
| 5 | 819 29 20-16 | Washer 29/32 x 1-1/4 x 16 Ga. |
| 6 | 871 11 06-24 | Bolt, Fin Hex 3/8-16 x 1-1/2 |
| 7 | 532 10 94-13 | Grip, Handle |
| 8 | 532 12 45-26 | Button Plunger |
| 9 | 532 12 23-64 | Plunger, Lever Lift |
| 10 | 532 18 38-94 | Spring |
| 11 | 532 17 53-75 | Link Lift |
| 12 | 532 16 35-52 | Retainer, Spring |
| 23 | 532 12 46-70 | Retainer, Spring |
| 24 | 873 35 08-00 | Nut, Jam Hex 1/2-13 Unc |
| 26 | 873 68 08-00 | Nut Crownlock 1/2-13 Unc |
| 29 | 532 15 02-33 | Trunnion Infin Height |
| 30 | 532 11 08-07 | Nut, Special |
| 31 | 819 13 10-16 | Washer 13/32 x 5/8 x 16 Ga. |
| 32 | 532 13 71-50 | Spring, Compression Inf Hgt |
| 33 | 876 02 03-08 | Pin, Cotter 3/32 x 1/2 |
| 34 | 532 13 71-67 | Rod, Adj Lift |
| 35 | 532 13 80-57 | Knob, Inf 3/8-16 Unc |
| 38 | 532 15 50-97 | Pointer Height Indicator |
| 39 | 532 12 39-35 | Plug, Hole Blk. 1.485/1.515 Dia. |
| 40 | 817 06 05-16 | Screw 5/16-18 x 1 |
| 41 | 532 17 59-94 | Nut, Lift Link |
| 42 | 819 11 24-10 | Washer 11/32 x 1-1/2 x 10 Ga. |
| 43 | 532 12 39-34 | Scale, Indicator Height |
| 70 | 532 14 52-12 | Nut Hex Flange Lock |
| 72 | 532 11 04-52 | Nut Push Phos & Oil |
| 73 | 873 35 06-00 | Nut, Hex Jam 3/8-16 Unc |
| 74 | 532 17 58-02 | Arm, Suspension Rear RH |
| 75 | 532 17 58-05 | Plate, Asm, Susp, Front |
| 76 | 532 17 55-60 | Pin Flange |
| 77 | 532 17 62-05 | Trunnion Susp. Arm |
| 78 | 532 17 56-89 | Trunnion, Front, Susp |
| 79 | 532 17 53-78 | Arm, Suspension Rear LH |

NOTE: All component dimensions given in U.S. inches
 1 inch = 25.4 mm

REPAIR PARTS

TRACTOR - MODEL NO. REGT20H122A, PRODUCT NO. 964 79 77-00
SEAT ASSEMBLY



seat_8-vgt

| KEY NO. | PART NO. | DESCRIPTION |
|---------|--------------|-------------------------------|
| 1 | 532 12 68-26 | Seat |
| 2 | 532 14 05-51 | Bracket, Pivot Seat |
| 5 | 532 14 50-06 | Clip, Push In Hinged |
| 6 | 873 80 06-00 | Nut, Crownlock 3/8-16 |
| 7 | 532 12 41-81 | Spring, Seat Cprsn |
| 8 | 532 17 18-77 | Bolt 5/16-18 Unc x 3/4 |
| 10 | 532 18 24-93 | Pan, Seat |
| 12 | 532 12 12-46 | Bracket, Mounting Switch |
| 13 | 532 12 12-48 | Bushing, Snap |
| 14 | 872 05 04-12 | Bolt, Carriage 1/4-20 x 1-1/2 |
| 15 | 532 12 12-49 | Spacer, Split |
| 16 | 532 12 37-40 | Spring, Cprsn |
| 17 | 532 12 39-76 | Nut, Lock 1/4 Lge Flg Gr. 5 |
| 20 | 532 12 42-38 | Cap, Spring Seat |

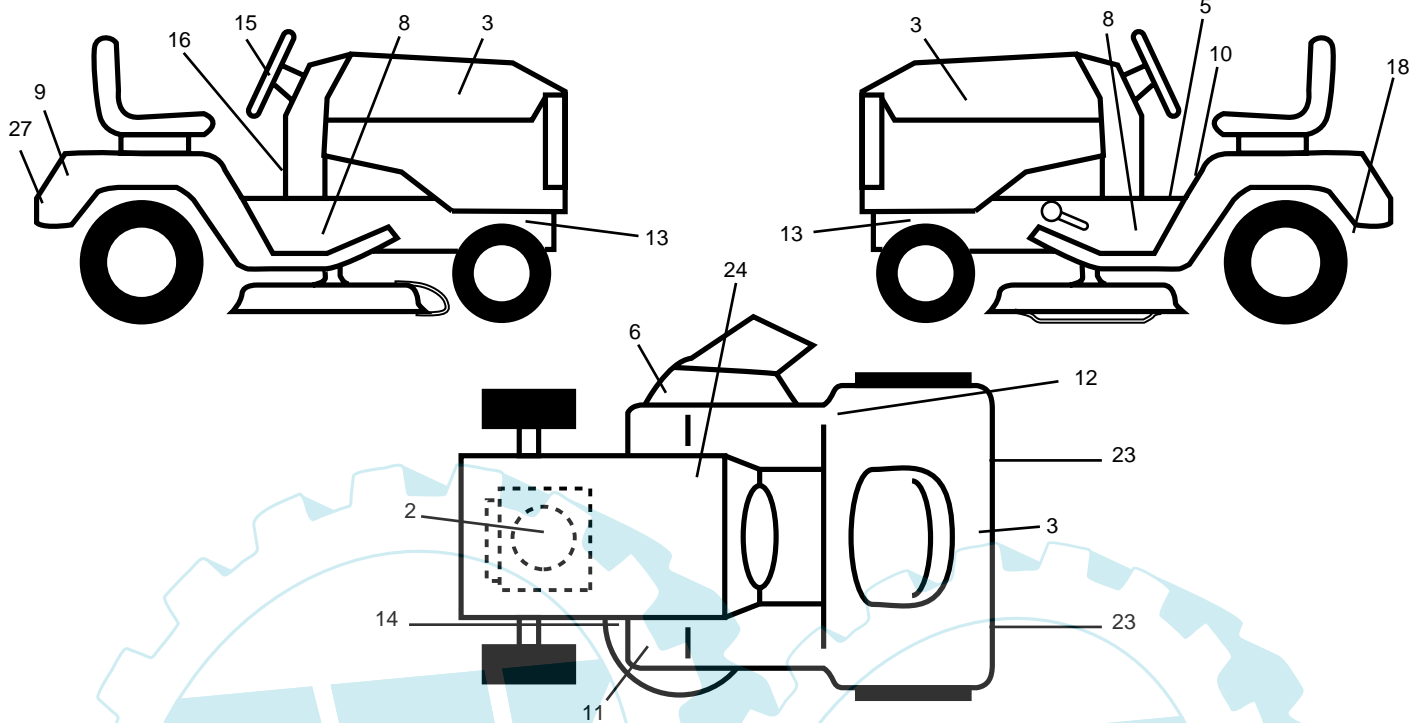
| KEY NO. | PART NO. | DESCRIPTION |
|---------|--------------|---------------------------------|
| 21 | 532 17 18-52 | Bolt, Shoulder 5/16-18 |
| 22 | 873 60 05-00 | Nut, Crownlock 5/16-18 |
| 24 | 532 17 79-46 | Track Slide LH |
| 25 | 532 17 79-47 | Track Slide Seat RH |
| 26 | 819 11 10-12 | Washer 11/32 x 5/8 x 12 Ga. |
| 28 | 819 11 14-16 | Washer 11/32 x 7/8 x 16 Ga. |
| 33 | 874 78 05-16 | Bolt Fin Hex 5/16-18 Unc x 1.00 |
| 35 | 532 17 84-26 | Cap Vinyl 1 x .34 Red |
| 37 | 873 80 05-00 | Nut Lock Hew w/Ins. 5/16-18 |
| 38 | 871 11 06-16 | Bolt 3/8-16 x 1 |
| 39 | 819 13 16-10 | Washer 13/32 x 1 x 10 Ga. |

NOTE: All component dimensions given in U.S. inches
1 inch = 25.4 mm

REPAIR PARTS

TRACTOR - MODEL NO. REGT20H122A, PRODUCT NO. 964 79 77-00

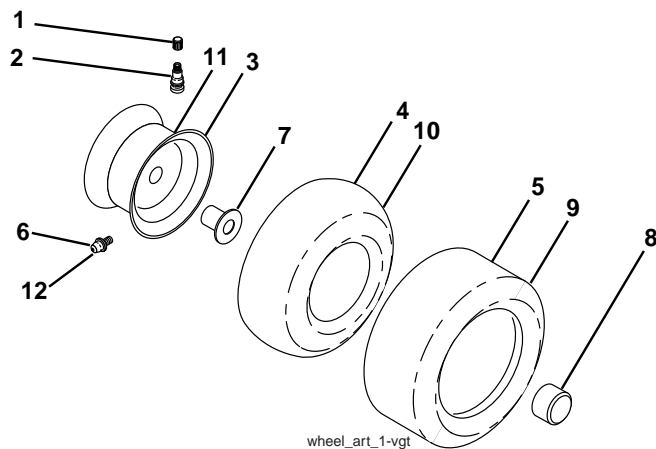
DECALS



| KEY NO. | PART NO. | DESCRIPTION |
|---------|--------------|----------------------------|
| 2 | 532 17 08-51 | Decal, Engine |
| 3 | 532 18 11-46 | Decal, Logo |
| 5 | 532 14 08-37 | Decal, Brake Park |
| 6 | 532 18 21-66 | Decal, Warning Cutfinger |
| 8 | 532 18 66-61 | Decal, Chassis |
| 9 | 532 18 11-46 | Decal, Fender |
| 10 | 532 14 54-98 | Decal |
| 11 | 532 17 78-73 | Decal, Foot Rest |
| 12 | 532 18 04-33 | Decal, Fender 105 OB/CE |
| 13 | 532 15 97-36 | Decal, Chassis Hot Muffler |
| 14 | 532 17 52-91 | Decal, V-Belt Schematic |

| KEY NO. | PART NO. | DESCRIPTION |
|---------|--------------|---------------------------|
| 15 | 532 18 66-60 | Decal, Ins. Strg Whl |
| 16 | 532 17 32-07 | Decal, Dash |
| 18 | 532 16 25-98 | Decal, Drawbar |
| 23 | 532 10 62-02 | Reflector, Taillight |
| 24 | 532 14 50-05 | Decal, Btry Dngr/Psn |
| 27 | 532 16 69-60 | Decal, By Pass |
| -- | 532 18 10-91 | Pad Footrest LH |
| -- | 532 18 10-90 | Pad Footrest RH |
| -- | 532 18 66-73 | Manual, Operator's (Euro) |
| -- | 532 18 66-75 | Manual, Operator's (Scan) |
| -- | 532 18 66-81 | Manual, Parts |

WHEELS & TIRES



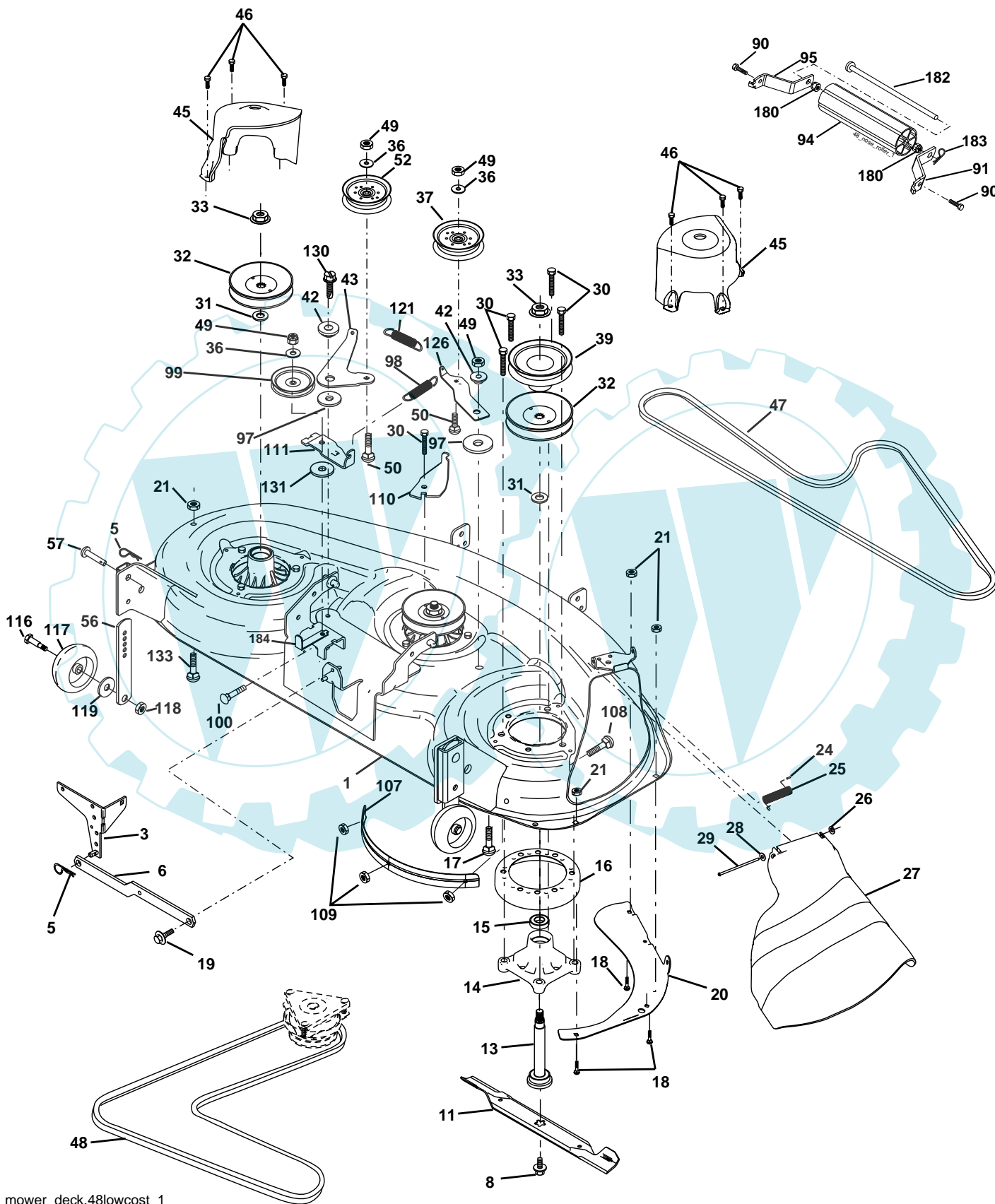
| KEY NO. | PART NO. | DESCRIPTION |
|---------|--------------|------------------------------------|
| 1 | 532 05 91-92 | Cap, Valve, Tire |
| 2 | 532 06 51-39 | Stem, Valve |
| 3 | 532 18 69-40 | Rim Assembly, Front |
| 4 | 532 00 81-34 | Tube, Front (Service Item Only) |
| 5 | 532 10 62-30 | Tire, Front |
| 6 | 532 12 49-57 | Fitting, Grease |
| 7 | 532 12 49-59 | Bearing, Flange (Front Wheel Only) |
| 8 | 532 17 50-39 | Cap, Hub |
| 9 | 532 10 55-88 | Tire, Rear |
| 10 | 532 00 71-54 | Tube, Rear (Service Item Only) |
| 11 | 532 18 69-39 | Rim Assembly, Rear |
| 12 | 532 12 48-60 | Fitting, Grease |
| -- | 532 14 43-34 | Sealant, Tire (10 oz. Tube) |

NOTE: All component dimensions given in U.S. inches
1 inch = 25.4 mm

REPAIR PARTS

TRACTOR - MODEL NO. REGT20H122A, PRODUCT NO. 964 79 77-00

MOWER DECK



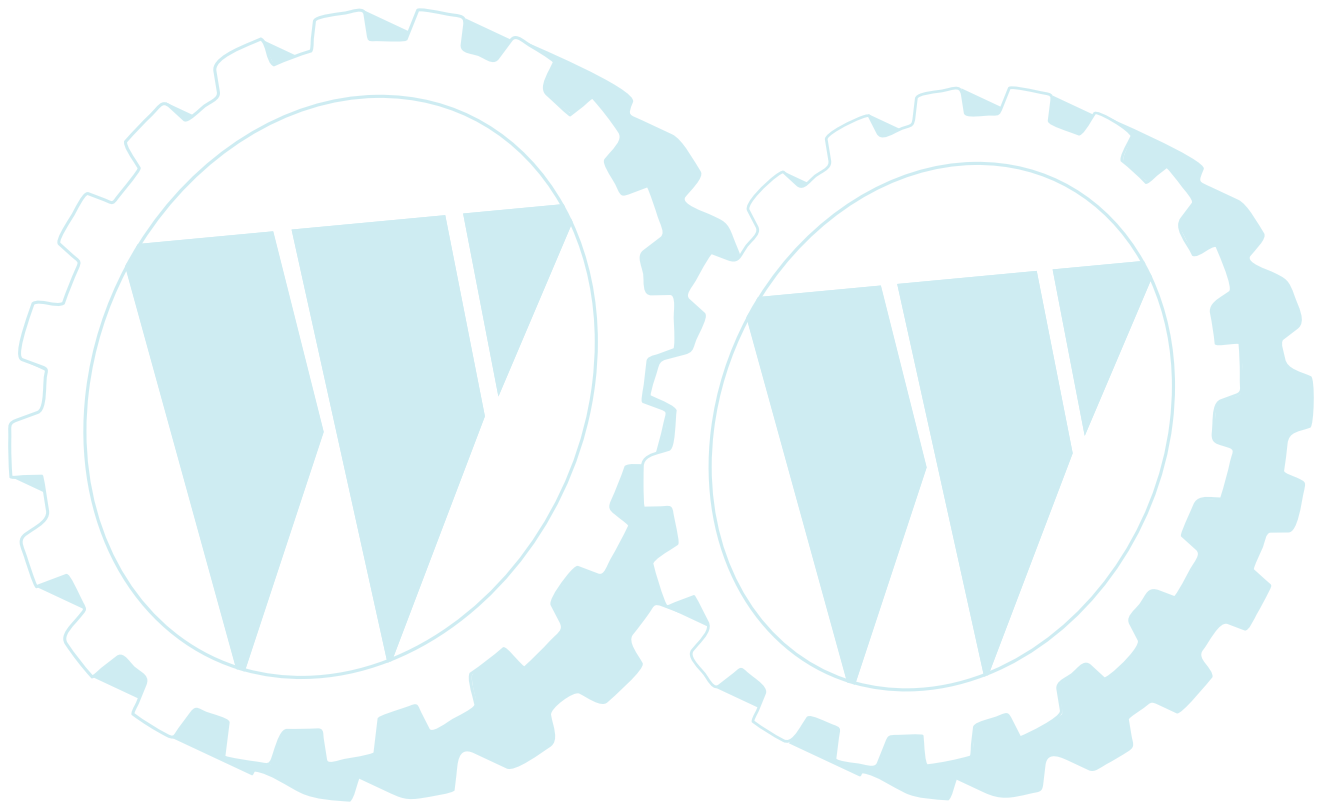
mower_deck.48lowcost_1

REPAIR PARTS

TRACTOR - MODEL NO. REGT20H122A, PRODUCT NO. 964 79 77-00
MOWER DECK

| KEY NO. | PART NO. | DESCRIPTION | KEY NO. | PART NO. | DESCRIPTION |
|---------|--------------|--|---------|--------------|---|
| 1 | 532 18 03-59 | Deck Weldment Mower 48 | 48 | 532 17 43-68 | V-Belt, Mower, Primary |
| 3 | 532 17 89-15 | Bracket Asm., Sway Bar | 49 | 873 68 06-00 | Nut, Crownlock 3/8-16 Unc |
| 5 | 532 12 46-70 | Retainer Spring | 50 | 872 11 06-12 | Bolt, Carr. 3/8-16 x 1-1/2 Gr. 5 |
| 6 | 532 17 80-24 | Arm, Suspension, Rear Sway Bar Deck | 52 | 532 17 58-20 | Pulley Idler Flat |
| 8 | 532 17 43-65 | Bolt 7/16 Asm. Blade | 56 | 532 15 59-86 | Bar Pnt Adj. |
| 11 | 532 18 00-54 | Blade, 48" Hi-Lift (For bagging and discharging) | 57 | 532 15 69-41 | Pin Head Rivet |
| 13 | 532 17 51-47 | Shaft Asm. w/Lower Bearing | 90 | 874 76 05-16 | Bolt Hex Hd 5/16-18 x 1 |
| 14 | 532 17 43-58 | Mandrel Asm. Housing | 91 | 532 18 05-35 | Bracket, Asm Noseroller, RH |
| 15 | 532 11 04-85 | Bearing, Ball, Mandrel | 94 | 532 17 60-66 | Noseroller |
| 16 | 532 17 44-93 | Stripper Mandrel Deck | 95 | 532 18 05-34 | Bracket, Asm Noseroller LH |
| 17 | 872 11 06-10 | Bolt RDHD Sq Neck 3/8-16 x 1.25 | 97 | 532 17 85-15 | Washer Hardened |
| 18 | 872 14 05-05 | Bolt, Carriage 5/16-18 x 5/8 | 98 | 532 17 94-79 | Spring Primary Drive |
| 19 | 532 13 28-27 | Bolt, Hex Hd, Shoulder 5/16-18 | 99 | 532 18 40-58 | Pulley Idler"V" |
| 20 | 532 17 43-78 | Baffle, Vortex Mower | 100 | 872 11 06-16 | Bolt RDHD Sqnk 3/8-16 Unc x 2 |
| 21 | 873 68 05-00 | Nut, Crownlock 5/16-18 Unc | 110 | 532 17 50-16 | Arm Spring Secondary |
| 24 | 532 10 53-04 | Cap, Sleeve | 111 | 532 17 46-10 | Arm Spring Fixed |
| 25 | 532 17 81-02 | Spring, Torsion | 133 | 872 11 05-06 | Bolt 5/16-18 x 3/4 |
| 26 | 532 11 04-52 | Nut, Push | 116 | 532 18 42-19 | Bolt, Shoulder |
| 27 | 532 18 17-07 | Deflector Shield | 117 | 532 13 39-57 | Gauge Wheel |
| 28 | 819 11 10-16 | Washer 11/32 x 5/8 x 16 Ga. | 118 | 873 93 06-00 | Nut, Centerlock 3/8-16 Unc |
| 29 | 532 13 14-91 | Rod, Hinge | 119 | 819 12 14-14 | Washer 3/8 x 7/8 x 14 Ga. |
| 30 | 532 17 39-84 | Screw, Thdroll Washer Head | 121 | 532 17 43-71 | Spring Secondary Drive |
| 31 | 532 12 99-63 | Washer, Spacer Mower Vented | 126 | 532 17 43-72 | Arm, Idler, Primary Deck |
| 32 | 532 17 78-65 | Pulley, Mandrel | 130 | 817 00 06-16 | Screw 3/8-16 x 1.0 |
| 33 | 532 17 83-42 | Nut, Flg. Top Lock Cntr. 9/16 | 131 | 819 13 16-06 | Washer 13/32 x 1.0 x 6 Ga. |
| 36 | 819 13 13-16 | Washer 13/32 x 13/16 x 16 Ga. | 180 | 873 80 05-00 | Nut Lock Hex w/Ins. 5/16-18 Unc |
| 37 | 532 17 79-68 | Pulley, Idler, Flat | 182 | 532 17 91-27 | Rod Roller Nose |
| 39 | 532 17 43-75 | Pulley, Idler, Driven | 183 | 532 16 35-52 | Retainer Spring |
| 42 | 532 16 57-23 | Spacer, Retainer | 184 | 532 17 39-79 | Keeper Belt Idler |
| 43 | 532 17 43-73 | Arm, Idler Secondary | -- | 532 17 43-57 | Mandrel Asm. Service (Includes Key Nos. 13-15 and 33) |
| 45 | 532 18 08-06 | Cover, Mandrel Deck | -- | 532 18 17-04 | Replacement Mower, Complete (Std. Deck - Order separately nose roller components key nos. 90, 91, 94, 95, 180, 182, and 183) |
| 46 | 532 13 77-29 | Screw, Thdroll. 1/4-20 x 5/8 | | | |
| 47 | 532 18 08-08 | V-Belt, Mower, Secondary | | | |

NOTE: All component dimensions given in U.S. inches
 1 inch = 25.4 mm



Rally

Ihr Ersatzteilspezialist im Internet